



Tap & Die Sets

in metal cases
DIN standards

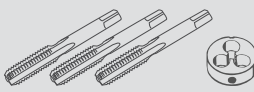
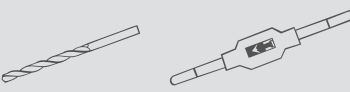

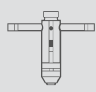
Utensili per filettare in assortimento

in cassetta metallica
versione DIN



Hand Taps DIN 352
in sets of 3 pieces
Round Dies DIN 223

Maschi a mano DIN 352
Serie 3 pezzi
Filiere tonde DIN 223

													Art.-No	€
P.V.2	M 3-4-5-6-8-10-12-14 M 16-18-20	No. 1	20 x 5	20 x 7	25 x 9	No. 1	49201	345,00						
		No. 3	30 x 11	38 x 14	45 x 18	No. 2								
HSSE drilbox	M 3-4-5-6-8-10-12-14 M 16-18-20	No. 1	20 x 5	20 x 7	25 x 9		49251	620,00						
		No. 3	30 x 11	38 x 14	45 x 18									
LH drilbox	M 3-4-5-6-8-10-12-14 M 16-18-20	No. 1	20 x 5	20 x 7	25 x 9		49271	550,00						
		No. 3	30 x 11	38 x 14	45 x 18									
P.V.3	M 5-6-8-10-12-14 M 16-18-20	No. 1	20 x 7	25 x 9	30 x 11	No. 1	49301	330,00						
		No. 3	38 x 14	45 x 18		No. 2								
P.V.5	M 3-4-5-6-8-10-12-14 M 16-18-20	No. 1	20 x 5	20 x 7	25 x 9		49205	440,00						
drilbox		No. 3	30 x 11	38 x 14	45 x 18									